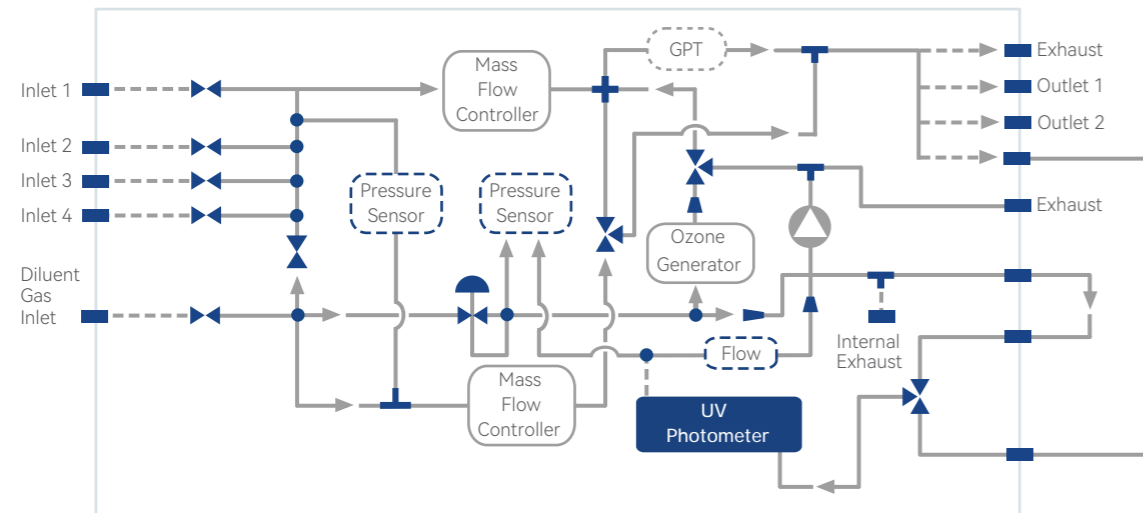




# AQMS-200 Dynamic Calibrator



FPI AQMS-200 dynamic dilution calibrator utilizes two mass flow controllers to perform standard zero and span calibration with up to 4 gas sources.



## Specifications

Dilution System	
Dilution Gas Flow Range	0~10SLPM, expandable
Standard Gas Flow Range	0~100sccm; expandable
Flow Accuracy	±1% F.S.
Linearity	±(0.5~1)% F.S.
Repeatability	±0.2% F.S.
Calibration Gas Input	4
Diluent Gas Input Ports	1

Ozone Generator (Optional)	
Output	0.1~6ppm
Stability	<1%/24h
Linearity	<1% F.S.

UV Photometer (Optional)	
Range	(0~0.5)ppm, (0~10)ppm
Precision	1.0ppb
Linearity	1% F.S.
Rise/Fall Time	<30s
Response Time	180s(90%)
Zero Drift	<1.0ppb/24h
Range Drift	<1% F.S./24h

Physical and Communication	
Power Requirement	220V AC, 50Hz, ≤150W
Operating Temperature	0~40°C
Operating Humidity	0~95%RH (No condensation)
Output	RS232/RS485/Ethernet
Dimensions and Weight	609×432×178mm, ≤20kg

## Features

- 01. Stable trace level ozone output down to 0.1ppm
- 02. Optional ozone generator, gas phase titration and photometer for independent ozone calibration
- 03. User selectable output include RS232, RS485, Ethernet
- 04. High performance mass flow controller provides stable and linearized output